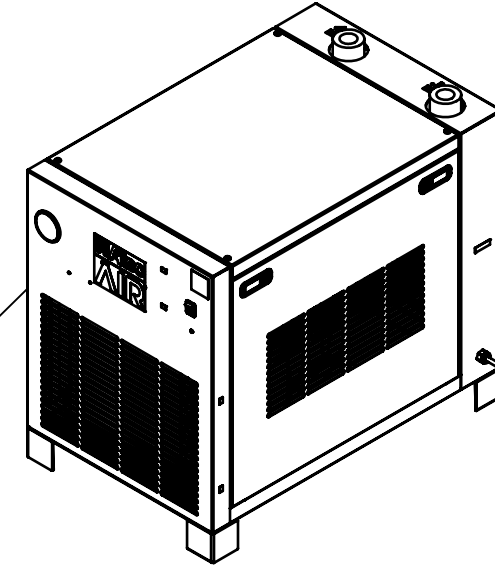
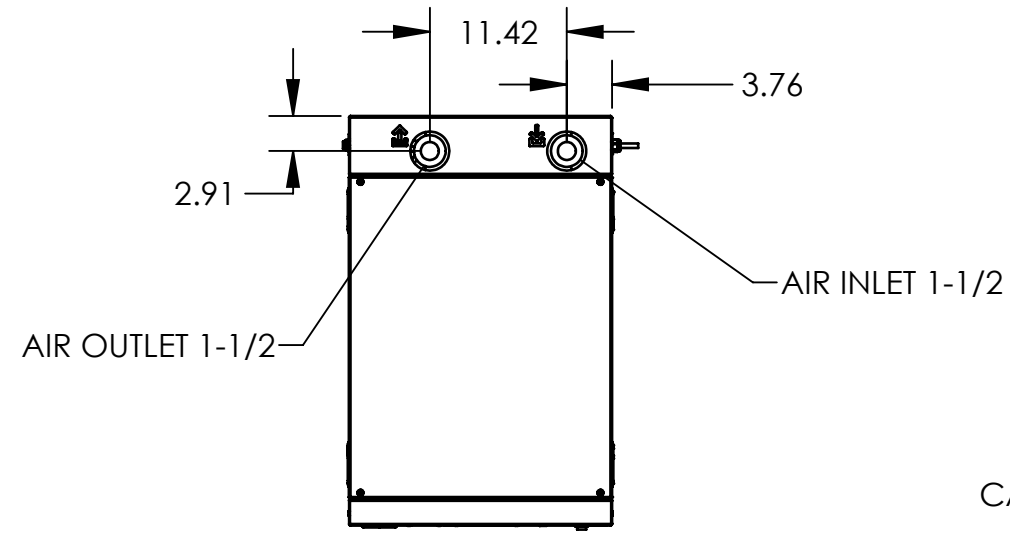
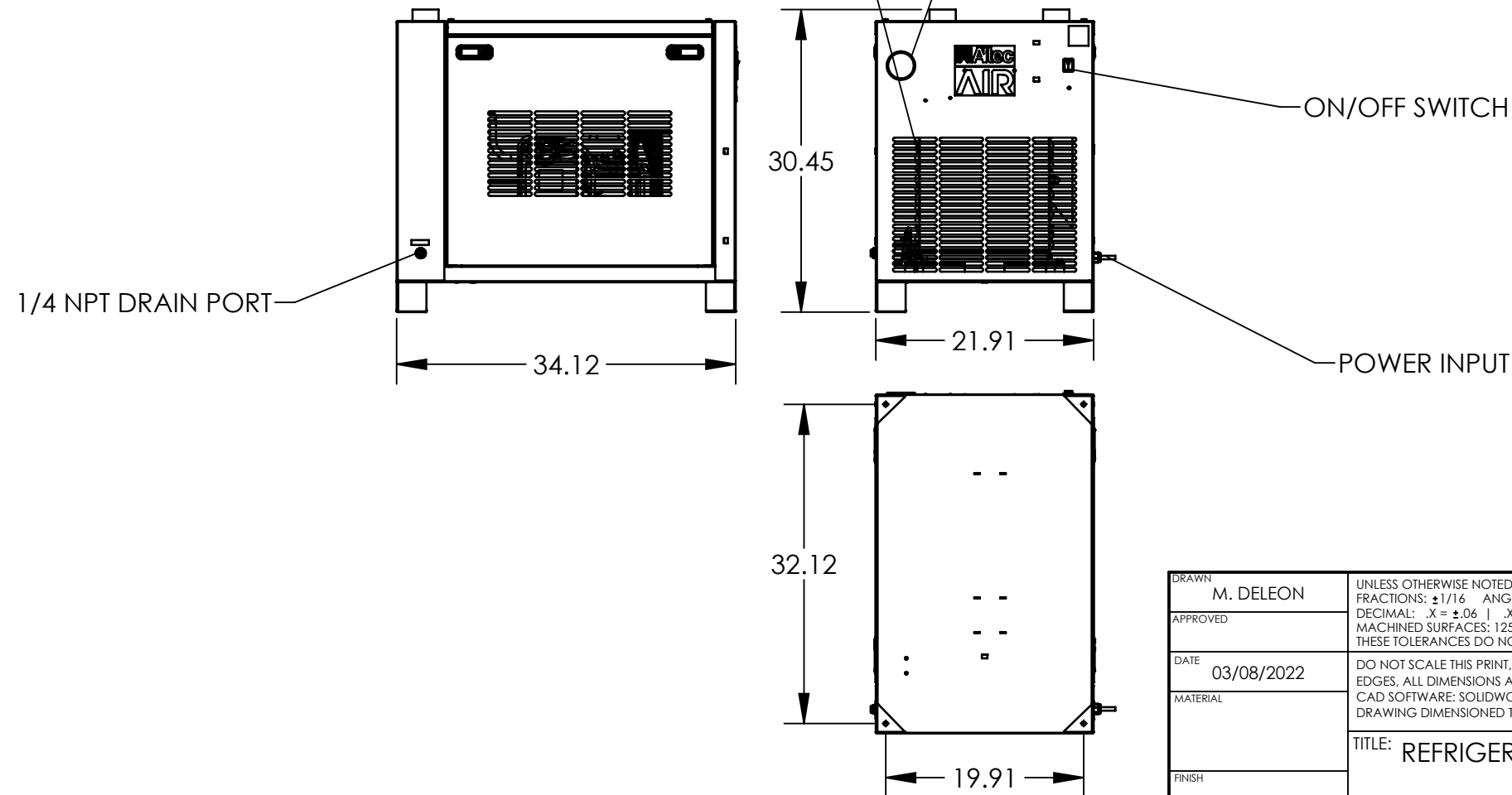


MODEL	RAD-0200A-1
MAX INLET AIR TEMP (F)	140
MIN/MAX AMBIENT TEMP (F)	45/120
VOLTAGE	115V-1Ph-60Hz
REFRIGERANT	R404a
REFRIGERANT CHARGE (OZ)	22
LRA	78
RLA	13.6
MCA	24.25
MOP	40
COMPRESSOR	RECIPROCATING
INLET/OUTLET PORT (NPT)	1-1/2
DESIGN PRESSURE LOW/HIGH	150/300
COMPRESSOR HP	1-1/4
WEIGHT	205
CORD AND PLUG TYPE	NEMA 5-20P
POWER CORD LENGTH (FT)	9



CABINET FRAME

FAN SUCTION SUCTION PRESSURE GAUGE



DRAWN	M. DELEON	UNLESS OTHERWISE NOTED, TOLERANCES ARE: FRACTIONS: $\pm 1/16$ ANGLES: $\pm 0^{\circ}30'$ DECIMAL: .X = $\pm .06$   .XX = $\pm .03$   .XXX = $\pm .015$   .XXXX = $\pm .0030$ MACHINED SURFACES: 125 MICRONS THESE TOLERANCES DO NOT APPLY TO BASIC DIMENSIONS. DO NOT SCALE THIS PRINT, REMOVE ALL BURRS & SHARP EDGES, ALL DIMENSIONS ARE IN INCHES. CAD SOFTWARE: SOLIDWORKS. DRAWING DIMENSIONED TO ALTEC STANDARD: CDS-0007.	
APPROVED			
DATE	03/08/2022		
MATERIAL			
FINISH		TITLE: REFRIGERATED, NON CYCLING, 200 SCFM, 115/1/60	



CONFIDENTIAL: This drawing and its contents are the proprietary and confidential information of Altec Industries, Inc. and are not to be reproduced, copied or publicly disclosed. If this drawing is provided to someone outside Altec, it is done so for the limited purpose of assisting that recipient with a technical or product issue. In receiving this drawing, the recipient agrees to maintain it in confidence and not to use it beyond the purpose previously stated. Recipient agrees not to reproduce, copy, or publicly disclose this drawing and its contents.	SCALE	WEIGHT	SIZE	NUMBER	REV
	1:16		2	100517875	A